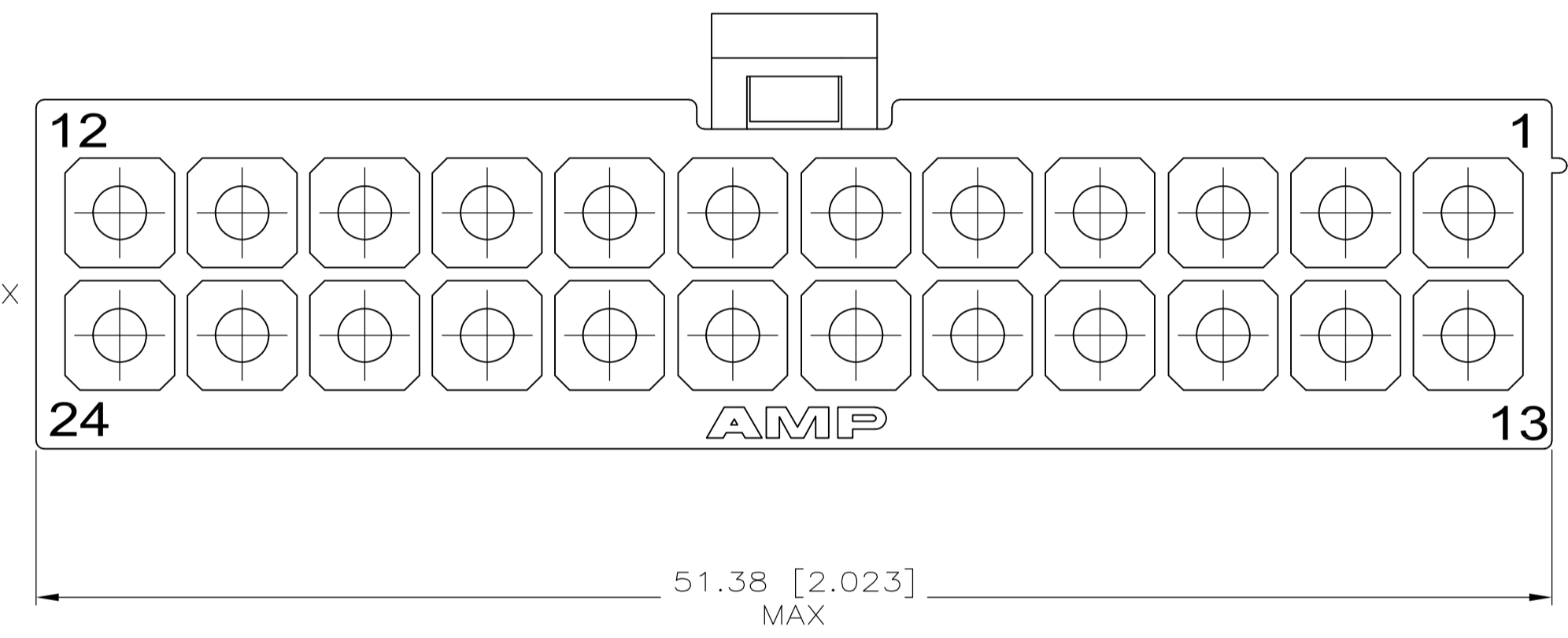
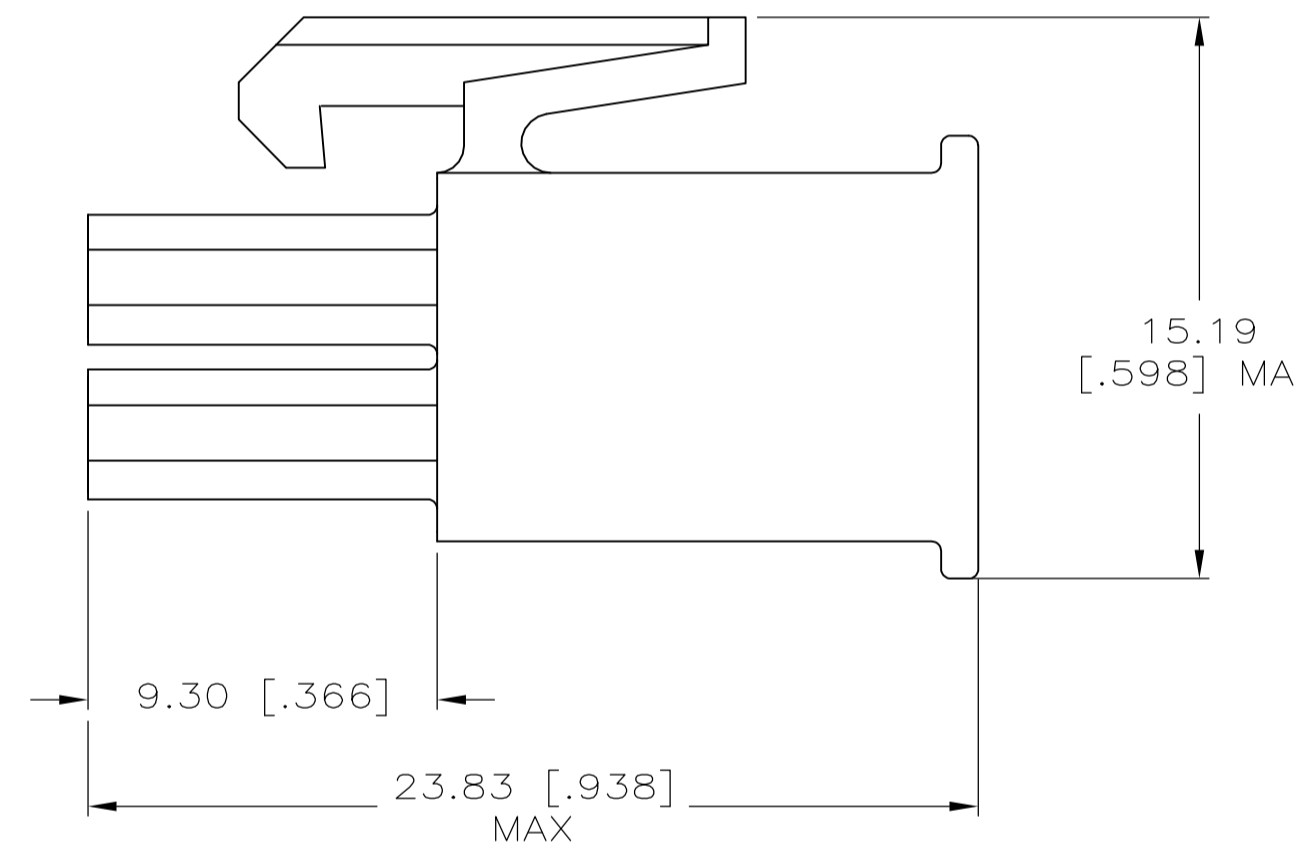
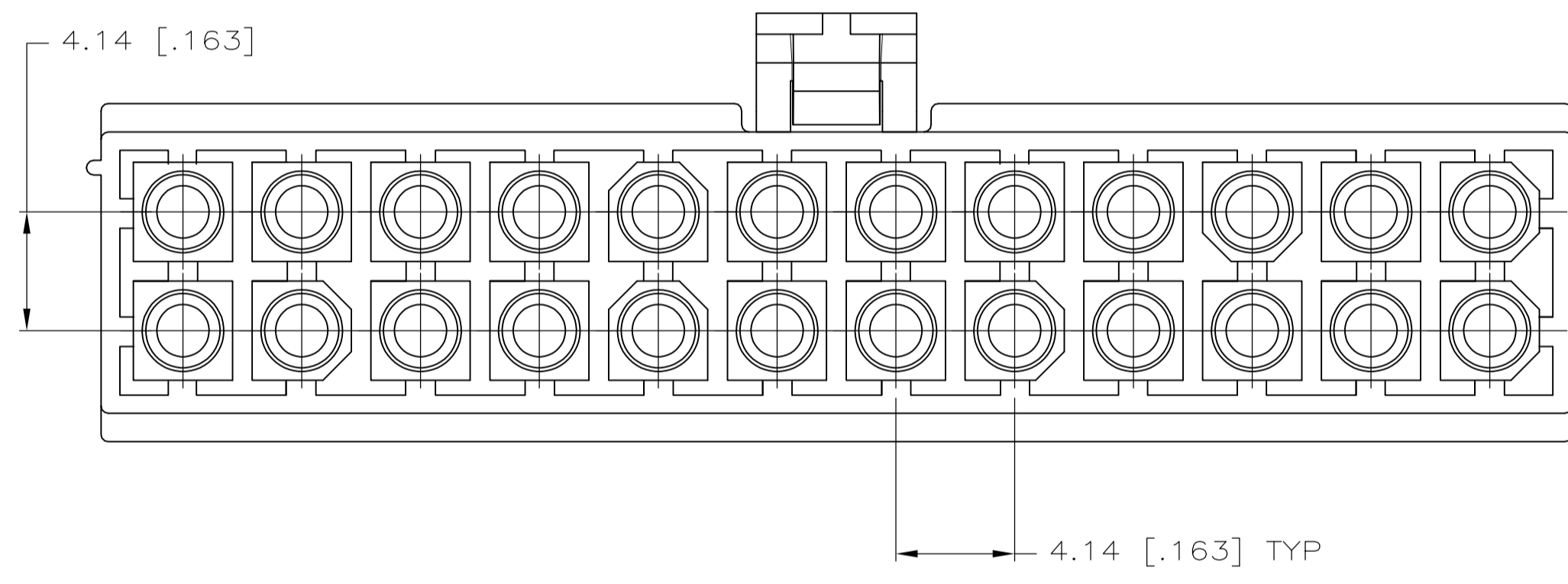
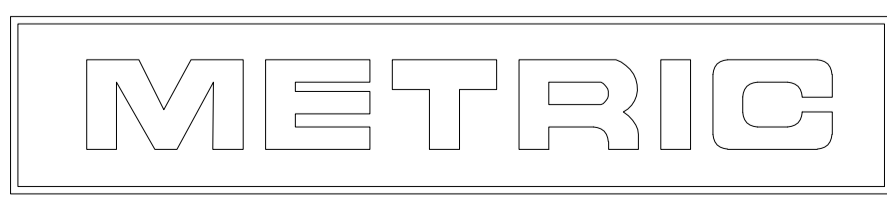


LOC		DIST		REVISIONS			
P	LTR	DESCRIPTION	DATE	DNW	APVD		
J		REVISED PER ECR-15-001261	02MAR15	SC	KD		

1. INDIVIDUAL CORING FEATURES AROUND BASES OF SILOS MAY NOT BE PRESENT IN ALL LOCATIONS SHOWN.



770587-1
PART NUMBER



THIS DRAWING IS A CONTROLLED DOCUMENT.		DNW S. HOOVER 12-MAY-2004	TE Connectivity
DIMENSIONS: mm [INCHES]		CHK C. JONES 12-MAY-2004	
TOLERANCES UNLESS OTHERWISE SPECIFIED:		APVD C. JONES 12-MAY-2004	NAME PLUG, 24 CIRCUIT, MINI UNIVERSAL MATE-N-LOK™
0 PLC ±	1 PLC ±	PRODUCT SPEC	SIZE A1
2 PLC ±	3 PLC ± 0.13 [.005]	APPLICATION SPEC	CAFE CODE 00779
4 PLC ±	ANGLES ±	WEIGHT	DRAWING NO 770587
MATERIAL NYLON, UL 94V-0 WHITE		FINISH	RESTRICTED TO
CUSTOMER DRAWING		SCALE 4:1	SHEET 1 OF 1
		REV J	